

DATASHEET

LED I Ceiling

Square Ceiling Flush Light

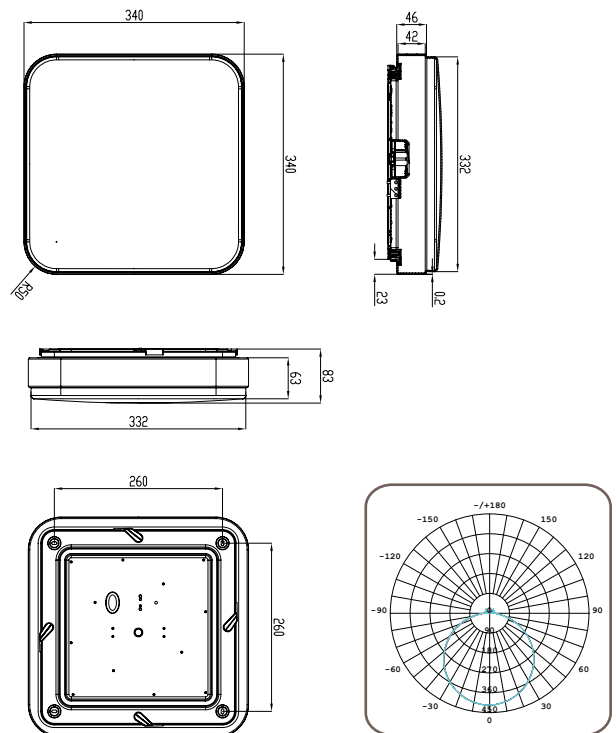


LED BY AEG **FUNCTION & PERFORMANCE**

- | Equal light distribution
- | Uplighting at the back edges
- | Opal PMMA-cover with aluminium frame, silver RAL 9006
- | Easy one-hand fixing without tools
- | Lifetime 35.000 h (L70)
- | 2 years guarantee
- | No UV or IR radiation

Input voltage: 220-240V ~ 50/60 Hz

Protection class: IP20



PRODUCT SPECIFICATIONS

Sales Code	Dimension	Performance	Replacement	Luminous Flux	Color Temperature	CRI	Beam Angle	Dimmable
FC22S34/830B120A	L340 X W340 X H83 mm	22 W	40 W	1.350 lm	3.000 K	>80	120°	N
FC22S34/840B120A	L340 X W340 X H83 mm	22 W	40 W	1.500 lm	4.000 K	>80	120°	N

DATASHEET

LED I Ceiling

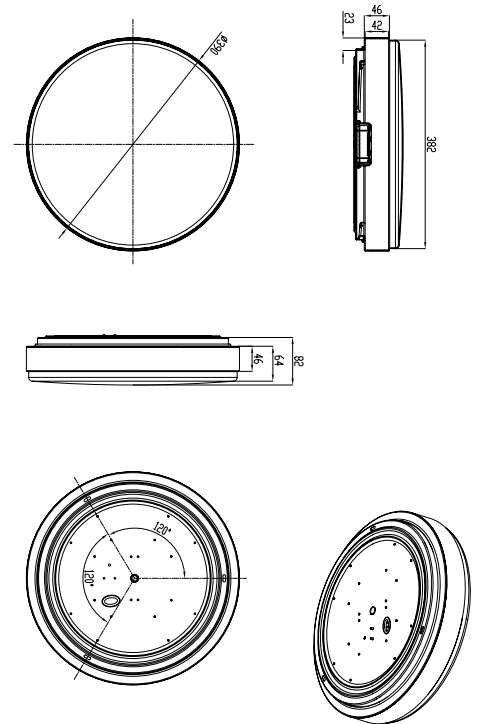
Round Ceiling Flush Light



LED BY AEG FUNCTIONS & PERFORMANCE

- | Equal light distribution
- | Uplighting at the back edges
- | Opal PMMA-cover with aluminium frame, silver RAL 9006
- | Easy one-hand fixing without tools
- | Lifetime 35.000 h (L70)
- | 2 years guarantee
- | No UV or IR radiation

Input Voltage: 220-240V ~ 50/60 Hz
Protection Class: IP20



PRODUCT SPECIFICATIONS

Sales Code	Dimension	Performance	Replacement	Luminous Flux	Color Temperature	CRI	Beam Angle	Dimmable
FC22R39/830B120A	∅ 390 X H82 mm	22 W	40 W	1.350 lm	3.000 K	>80	120°	N
FC22R39/840B120A	∅ 390 X H82 mm	22 W	40 W	1.500 lm	4.000 K	>80	120°	N

DATASHEET

LED I Ceiling

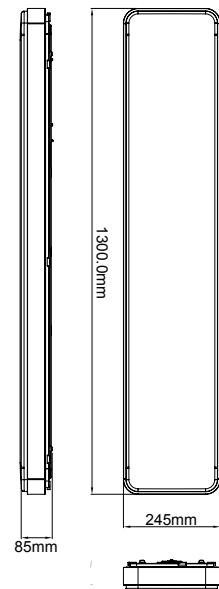
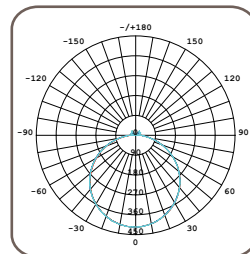
Rectangle Ceiling Flush Light



LED BY AEG FUNCTIONS & PERFORMANCE

- | Equal light distribution
- | Uplighting at the back edges
- | Opal PMMA-cover with aluminium frame, silver RAL 9006
- | Easy one-hand fixing without tools
- | Lifetime 35.000 h (L70)
- | 2 years guarantee
- | No UV or IR radiation

Input Voltage: 220-240V ~ 50/60 Hz
Protection Class: IP20



PRODUCT SPECIFICATIONS

Sales Code	Dimension	Performance	Replacement	Luminous Flux	Color Temperature	CRI	Beam Angle	Dimmable
FC40120/830B120A	L1.300 X W245 X H85 mm	40 W	80 W	2.700 lm	3.000 K	>80	120°	N
FC40120/840B120A	L1.300 X W245 X H85 mm	40 W	80 W	3.000 lm	4.000 K	>80	120°	N